



SPECIFICATION SHEET

UMACABLE HIGH QUALITY DVI-D SINGLE LINK EXTENSION CABLE

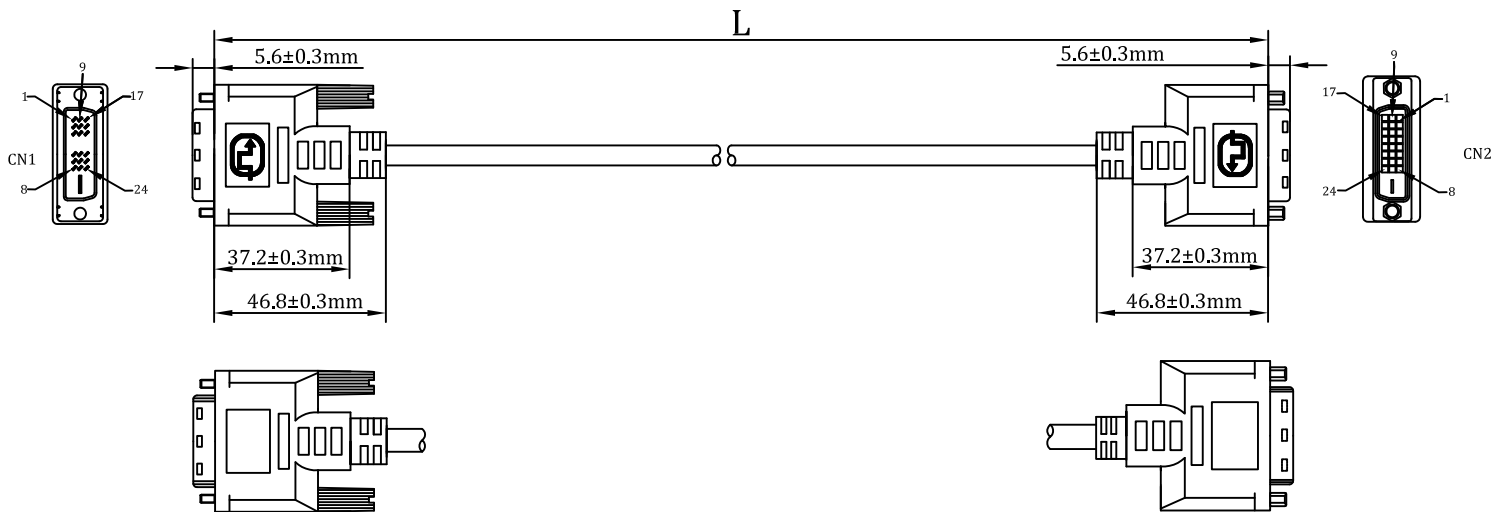
ITEM NO.: UMDV2001



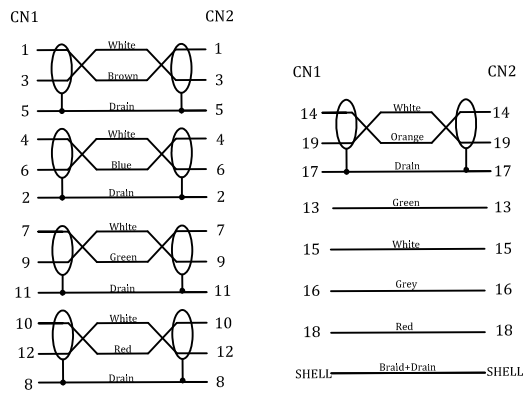
KEY FEATURES :

- DVI-D Single Link video extension cable
- Convenient way to extend your existing DVI-D Single Link cable without any signal loss
- Support 1600*1200@60 or 1920x1080@60 (1080p Full HD) resolution
- Bandwidth up to 4.95Gbps
- The screw design makes sure a secure connection
- Lifetime Warranty

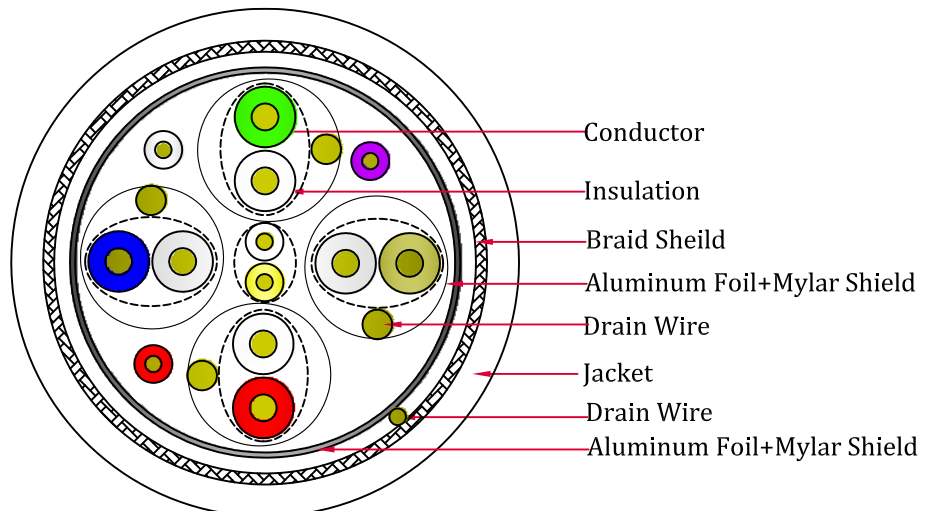
UMACABLE HIGH QUALY DVI-D SINGLE LINK EXTENSION CABLE



Diagram



Construction



UMACABLE HIGH QUALITY DVI-D SINGLE LINK EXTENSION CABLE

Electrical Characteristics:

Nominal Attenuation:	8db/cable (1-825MHz)
Nominal Velocity of Propagation:	4.95Gbps
DC Resistance:	300V
Dielectric Strength:	AC 500V/1 minute
Insulation Resistance:	100Ω

Conductor 1 (4 pairs)

Conductor Type:	30AWG Bare Copper
Insulation:	Foamed PE
Color:	Brown/White, Blue/White, Green/ White, Red/White
Drain Wire:	30AWG Bare Copper
Shield:	Aluminum Foil+Mylar 100% Coverage

Connector 1

Connector Type:	DVI-D 18+1 Male
PIN Construction:	Phosphor Copper
Plating:	1 μm Gold
Injection:	45P PVC

Overall

Drain Wire:	30AWG Copper Clad Steel
Foil Shield:	Aluminum Foil+Mylar 100% Coverage
Braided Shield:	16/5/0.12 Aluminum Magnesium
Jacket:	PVC
OD:	6.0±0.2mm

Physical Characteristics:

Voltage Rating:	30V
Maximum Bend Radius:	90mm
Temperature Rating:	80°C
Approvals:	RoHS Compliant
Package type:	PE bag, Zip bag, Box, Hang card, Blister

Conduct 2 (1 pair)

Conductor Type:	30AWG Bare Copper
Insulation:	HDPE
Color:	Orange, Black

Conduct 3 (3 conductors)

Conductor Type:	30AWG Bare Copper
Insulation:	HDPE
Color:	Red, White, Purple

Connector 2

Connector Type:	DVI-D 24+1 Female
PIN Construction:	Phosphor Copper
Plating:	1 μm Gold
Injection:	45P PVC

Customized Parameters

Guage:	AWG 30, 28, 26, 24
Length:	1, 1.5, 1.8, 2, 3, 5, 7.5, 10, 15, 20m
Color:	Black or Customized
Ferrite Core:	Customized
Nylon Mesh:	Customized
Package type:	PE bag, Zip bag, Box, Hang card, Blister